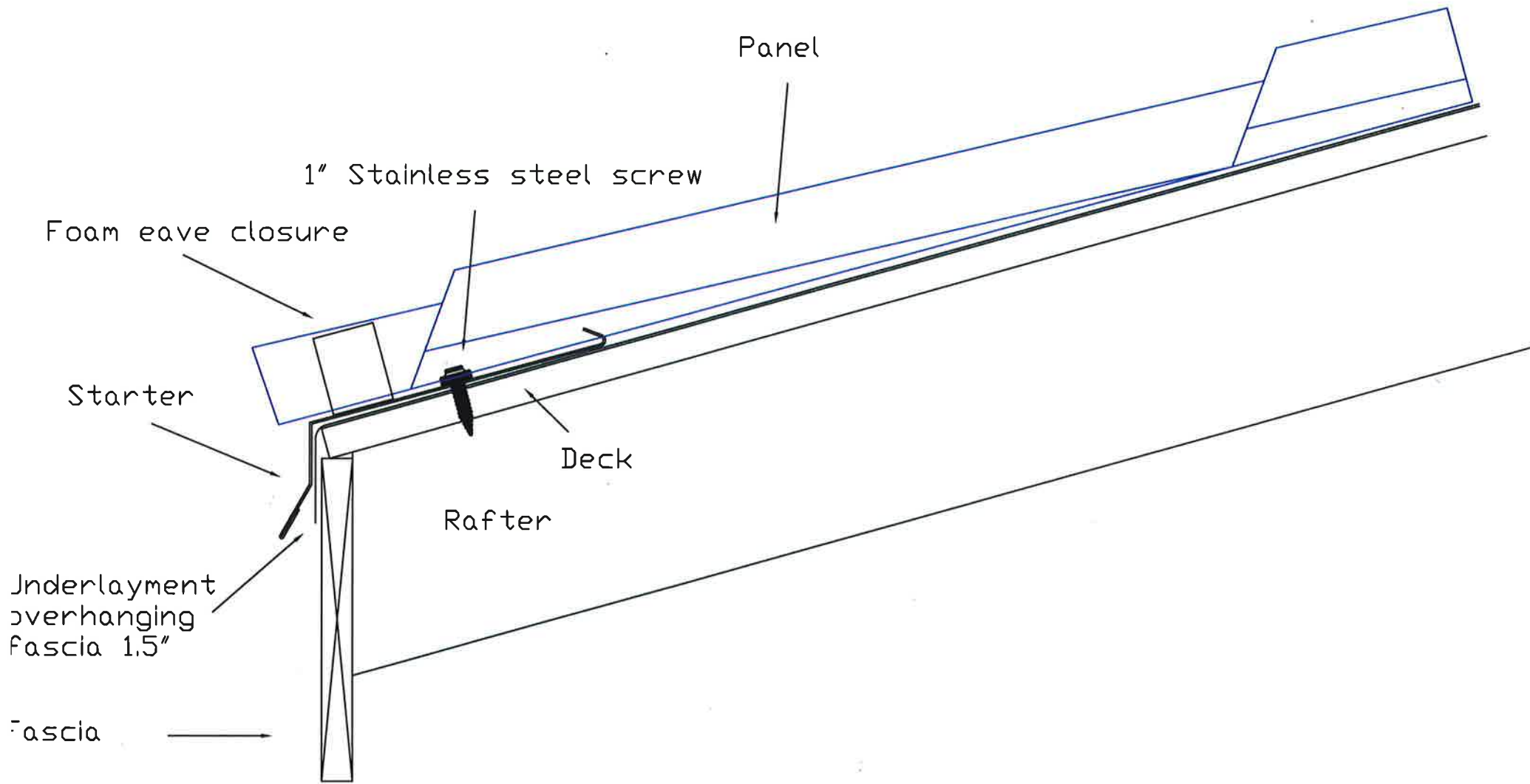




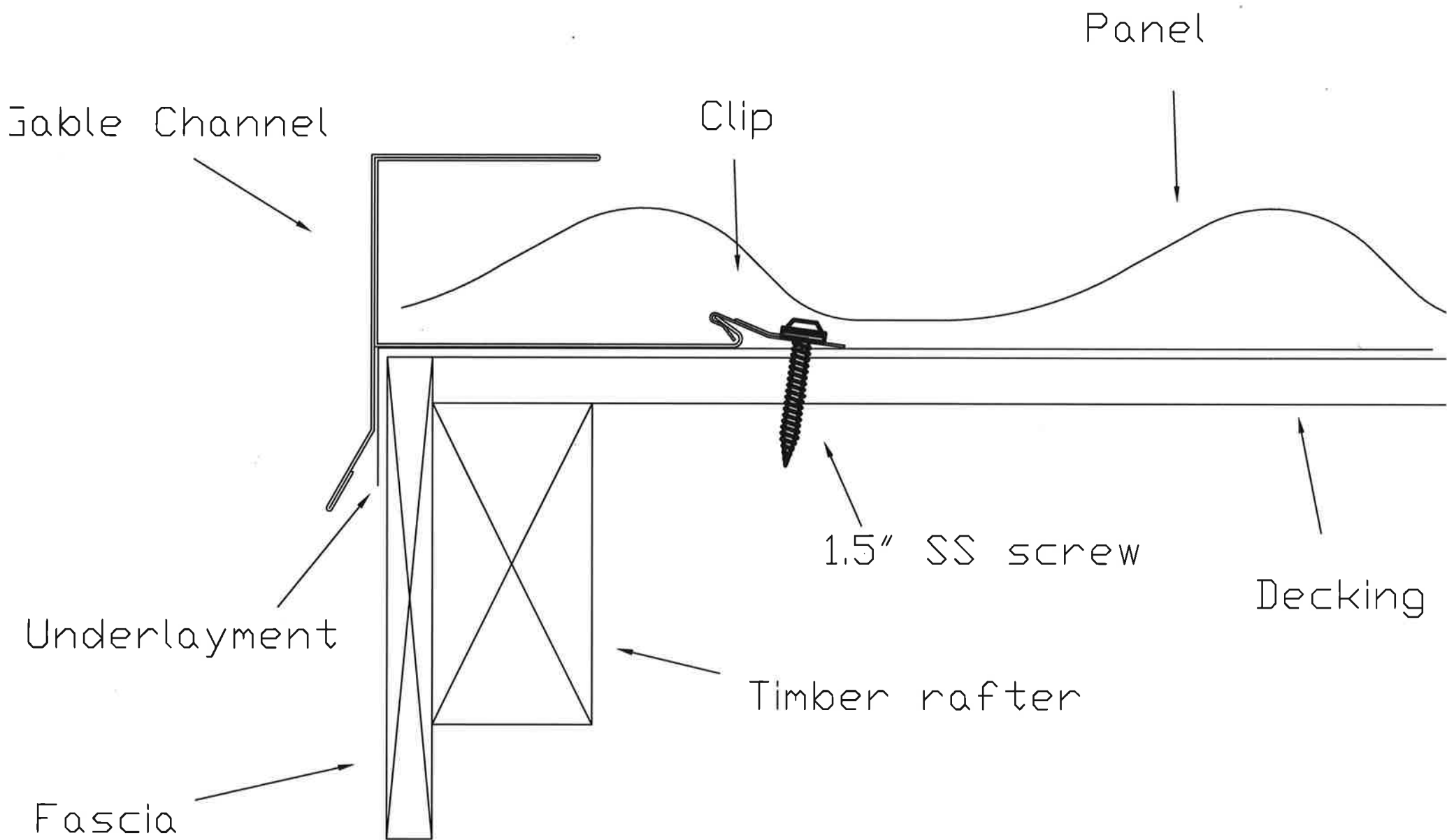
GRANDETILE

THE GRANDEUR OF TILE WITHOUT THE WEIGHT

INSTALLATION GUIDE



Gable Detail



Ridge Detail

Hip and Ridge Cap

Field-formed end cap

1" SS screw
through high
rib of panel

Panel

Foam ridge closure

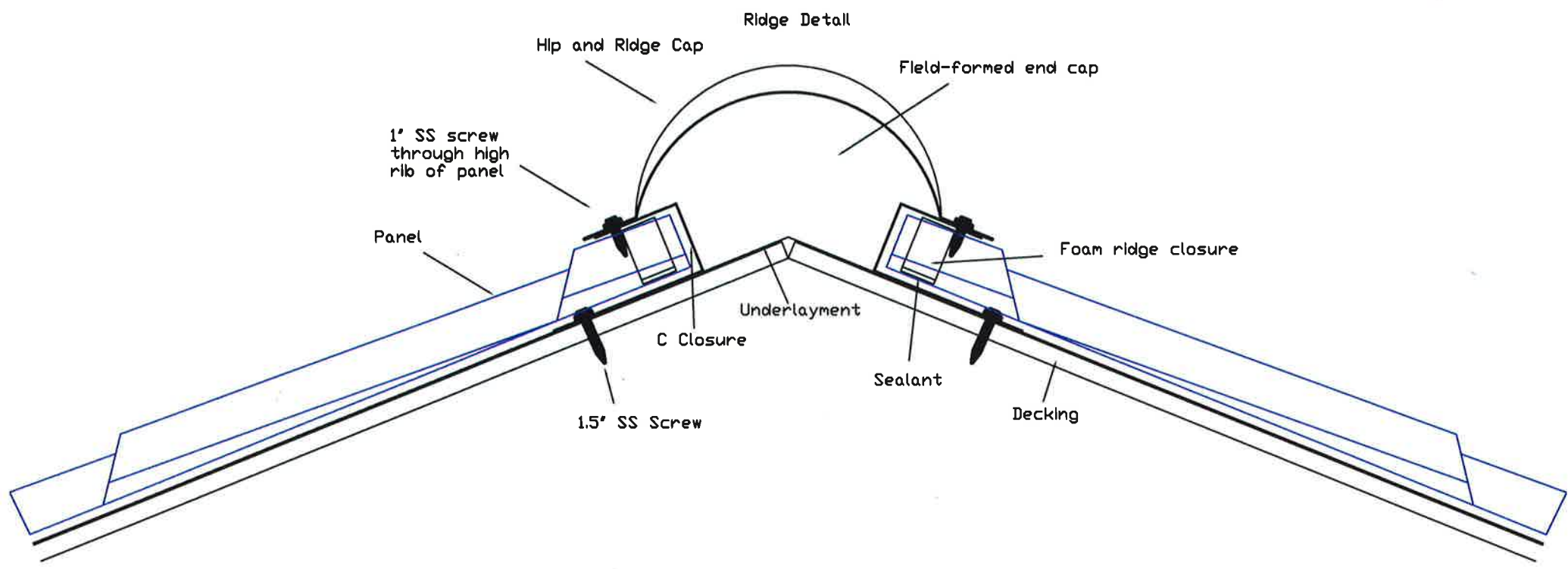
Underlayment

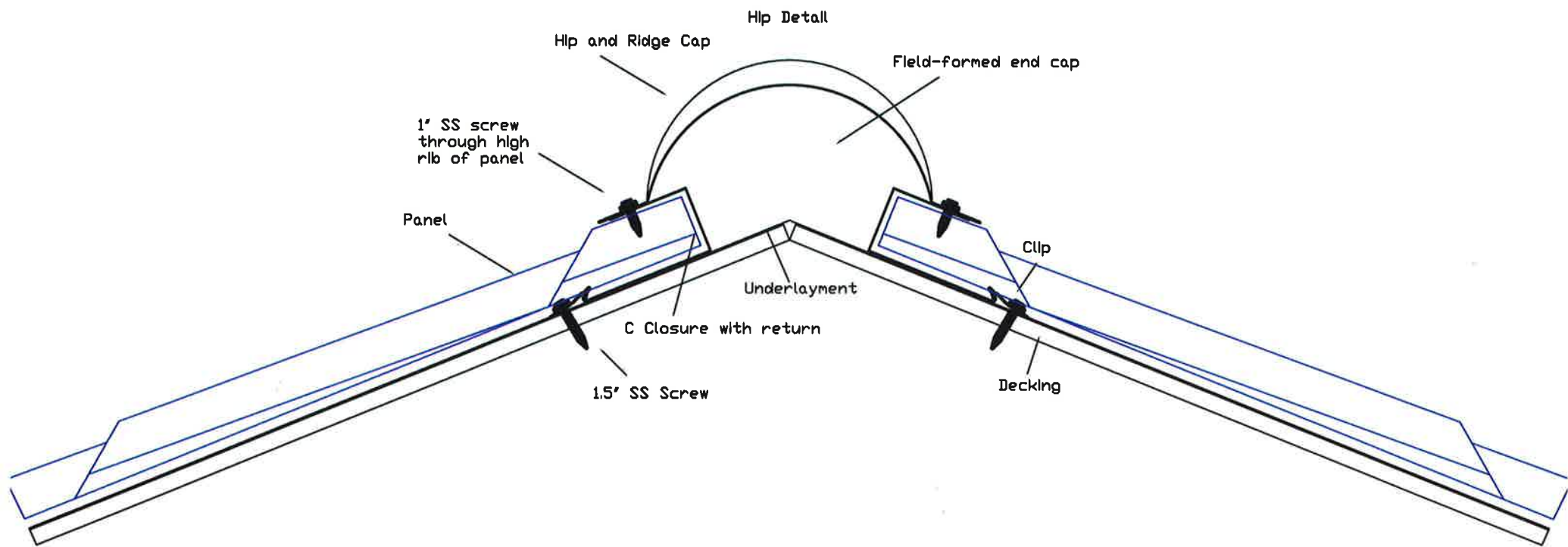
C Closure

Sealant

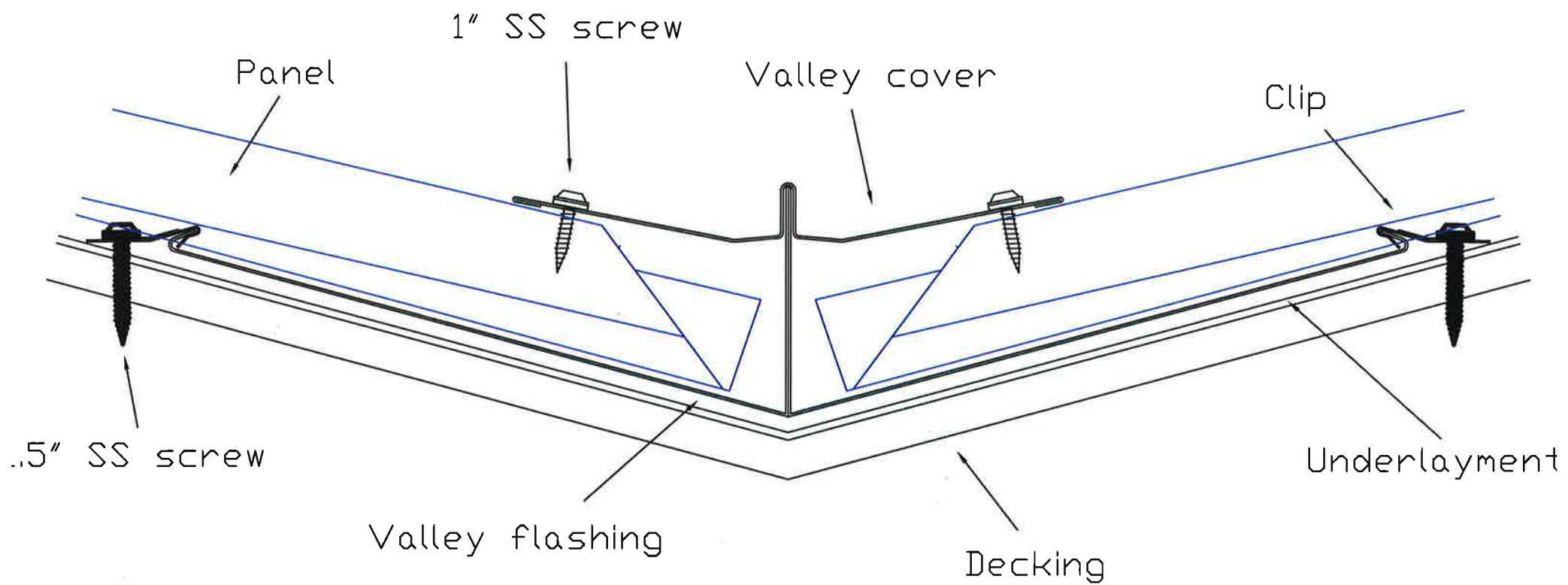
1.5" SS Screw

Decking

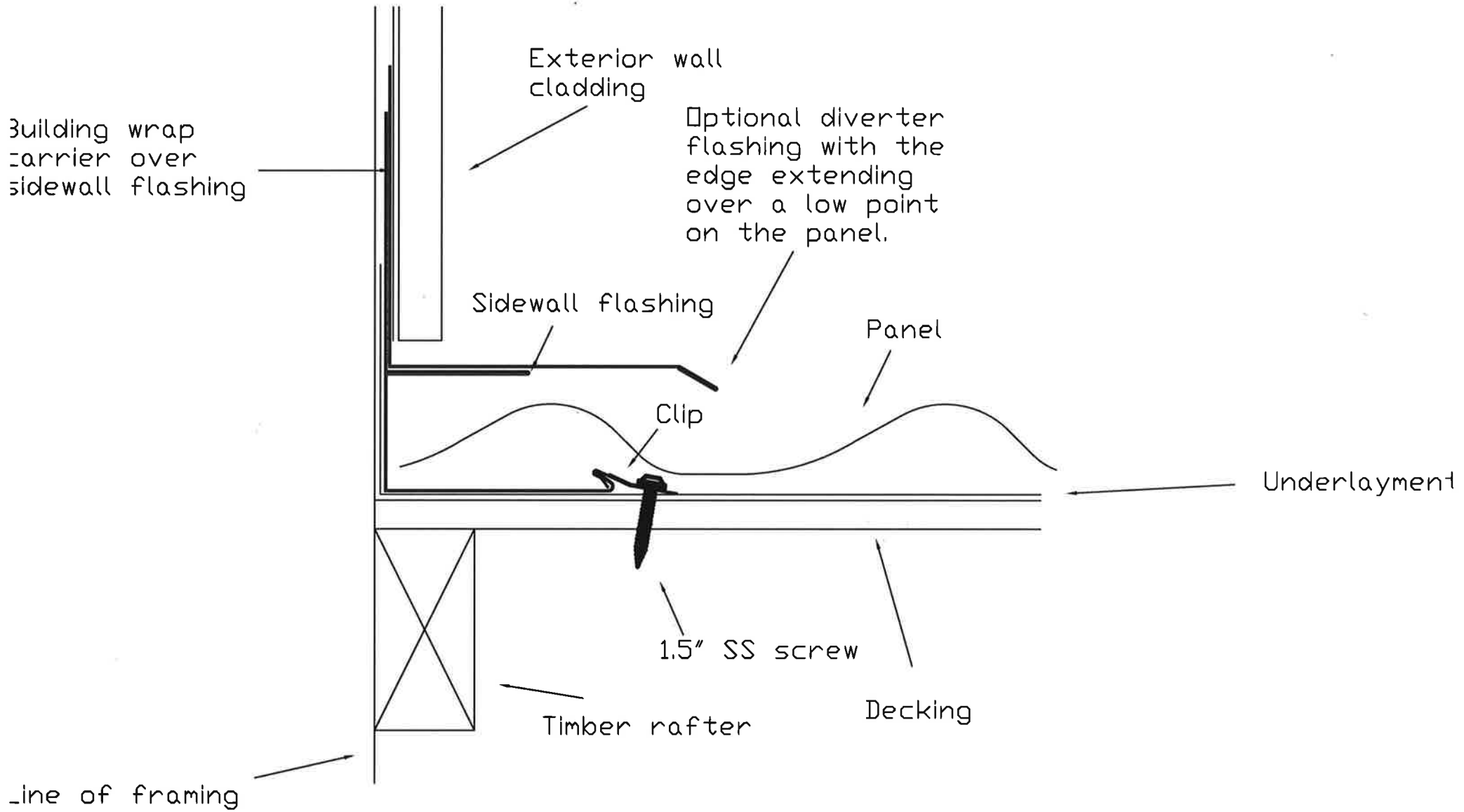


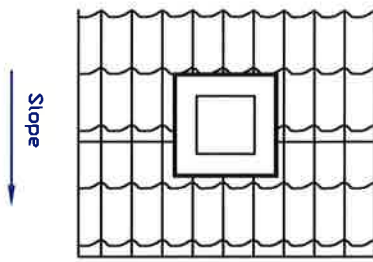


Valley Detail

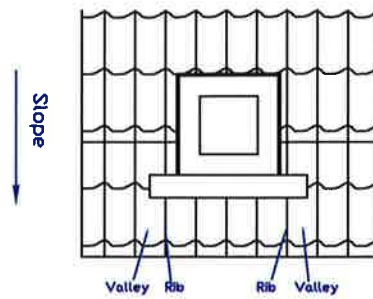


Sidewall Detail

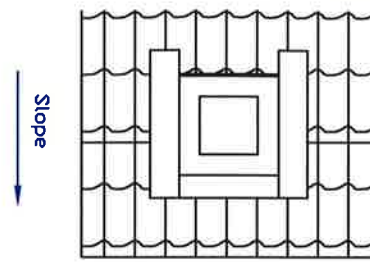




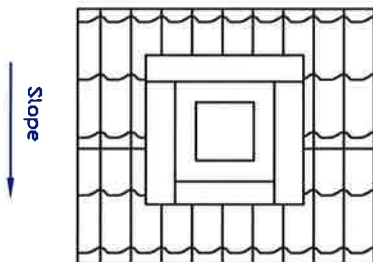
Install panels around the chimney



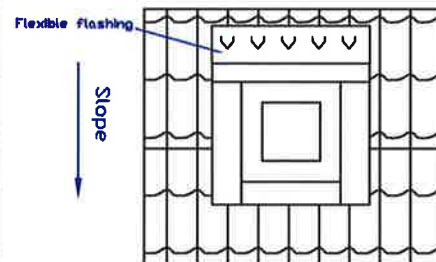
The top of the front flashing should extend up the front of the chimney and out over the top of the panels. The sides of the front flashing should extend over a rib and to the center of a valley in the panel.



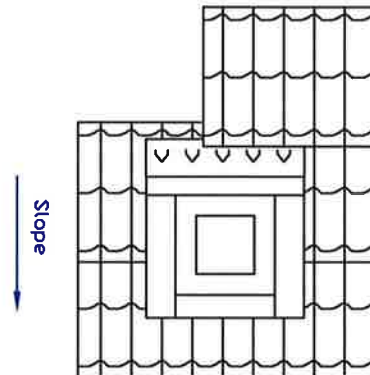
The side flashings should extend over the front flashing and up the sides of the chimney.



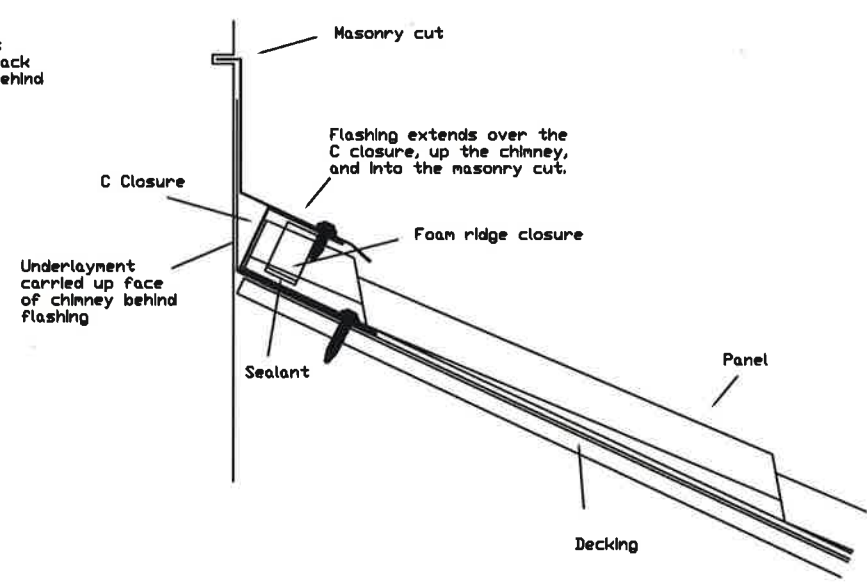
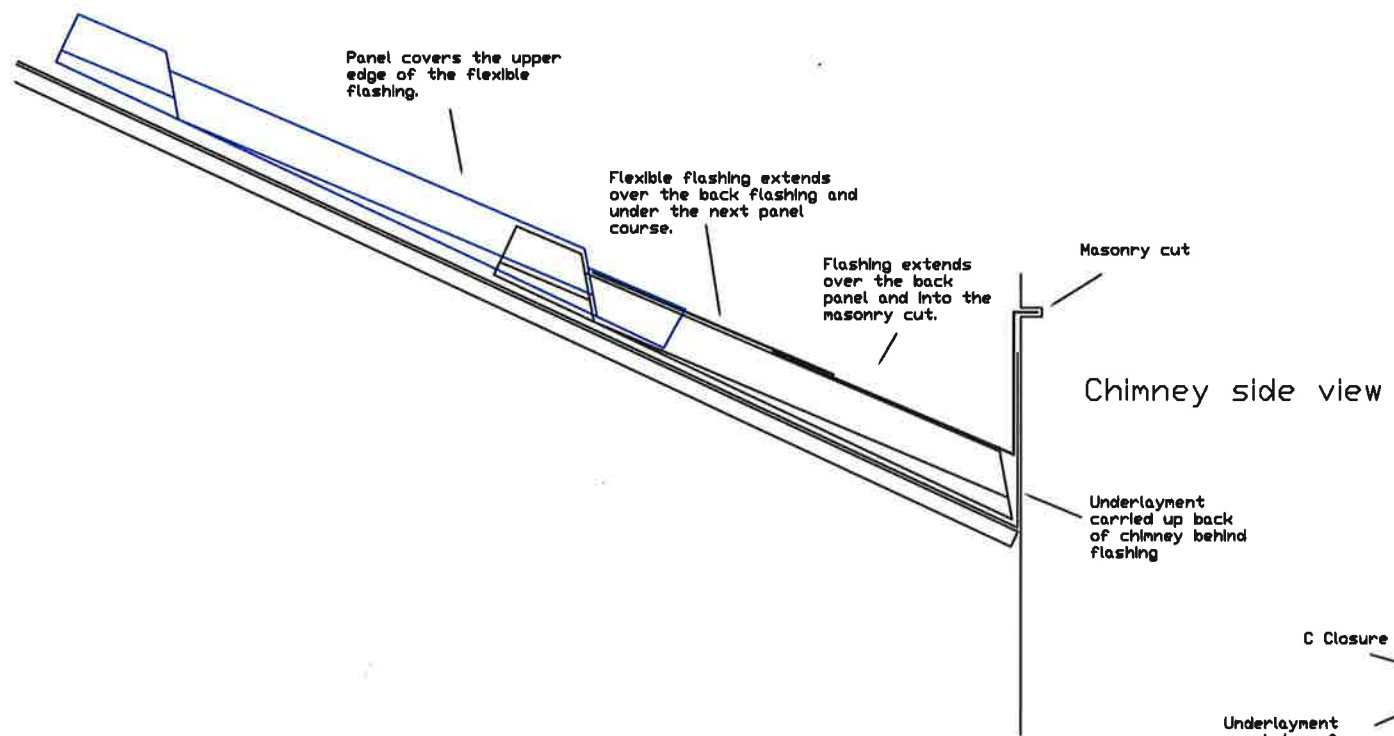
The back flashing should extend up the chimney, over the side flashings, and over the panels. Some of the high spots in the panel may need to be removed to allow the flashing to rest as flat as possible.



Install flexible flashing over the back flashing and over the ribs on the panel.



Install the next course of panels over the flexible flashing.



Headwall Detail

