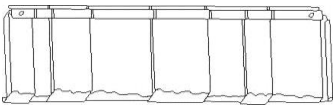
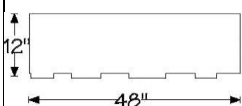

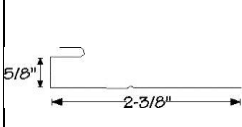
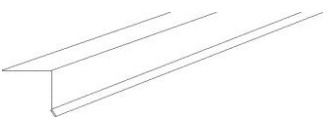
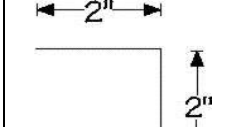
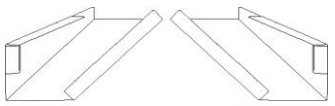
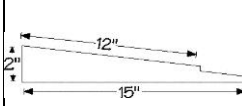
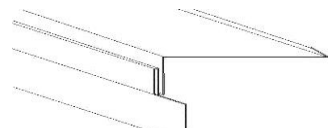
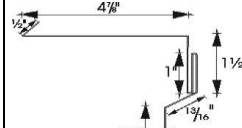
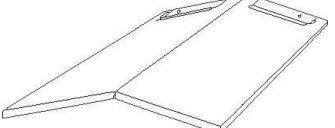
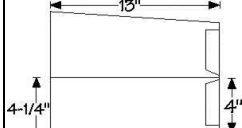
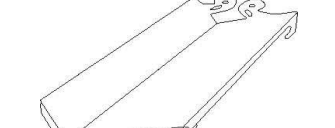


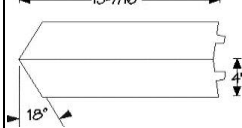
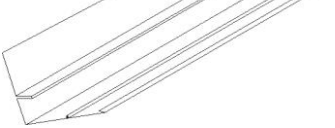
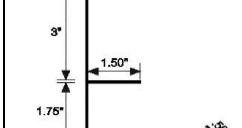
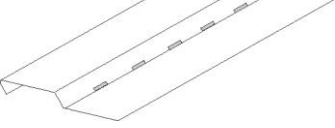
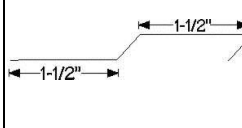
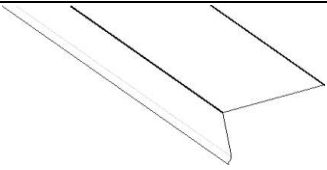
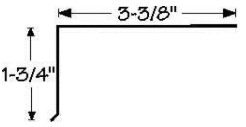
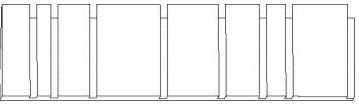
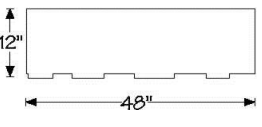
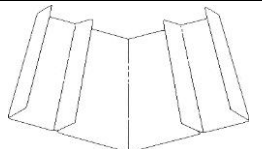
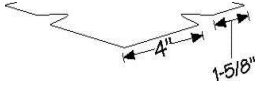
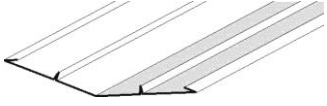
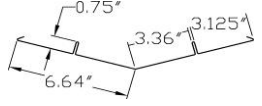

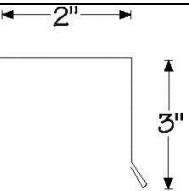
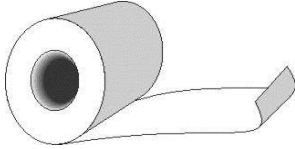



COUNTRY MANOR SHAKE

PART NO.	PRODUCT	DIMENSIONS	SPECIFICATIONS & PACKAGING
CM-101	 COUNTRY MANOR SHAKE		Exposure: 48"x12" Butt: 1 1/8" Gauge: .019" Per Carton: 25 panels Coverage: 1 square Gross Wt.: 47 lbs.
CM-102	 STARTER STRIP		Length: 12' Gauge: .024" Per Carton: 25 pieces 300 lineal ft. Gross Wt.: 40 lbs. Use with either CM-105 or CM-126.
CM-105	 EAVE & GABLE DRIP EDGE		Length: 12' Gauge: .019" Per Carton: 25 pieces 300 lineal ft. Gross Wt.: 36 lbs. Use with either CM-102 or CM-106
CM-106-R CM-106-L	 GABLE END CAP	 LEFT & RIGHT SOLD SEPARATELY	Coverage: 1 course Gauge: .019" Per Carton: 100 pieces Gross Wt.: 15 lbs. Use with either CM-105 or CM-126.
2027	 GABLE CHANNEL		Length: 12' Per Carton: 10 pieces 120 lineal feet Gross Weight: 40 lbs. Bend-over Gable.
CM-107	 RIDGE CAP		Exposure: 12" Gauge: .024" Per Carton: 50 pieces Gross Wt.: 18 lbs.
CM-108	 HIP CAP		Coverage: One Course Gauge: .024" Per Carton: 50 pieces Gross Wt.: 26 lbs.
CM-120	 MANSARD CAP		Coverage: One Course Gauge: .024" Per Carton: 50 pieces Gross Wt.: 22 lbs.
CM-121	 SIDEWALL FLASHING		Length: 12' Gauge: .024" Per Carton: 10 pieces Coverage: 120 lineal ft. Gross Wt.: 43 lbs.
CM-122	 SLOTTED STARTER STRIP		Length: 12' Gauge: .024" Per Carton: 25 pieces 300 lineal ft. Gross Wt.: 36 lbs. Not sold by color. Use with CM-123 in climates prone to blowing rain or heavy snow.

COUNTRY MANOR SHAKE

PART NO.	PRODUCT	DIMENSIONS	SPECIFICATIONS & PACKAGING
CM-123	 SLOTTED STARTER DRIP EDGE		Length: 12' Gauge: .019" Per Carton: 25 pieces 300 lineal ft. Gross Wt.: 39 lbs. Use with CM-122.
CM-124	 EXPANDED POLYSTYRENE INSERT		Per Carton: 2 Squares
CM-125	 OPEN VALLEY		Length: 10' Gauge: .024" Per Carton: 10 pieces 100 lineal ft. Gross Wt.: 52 lbs.
R-425	 OPEN VALLEY		Length: 12' Per Carton: 5 pieces 60 lineal feet. Gross Weight: 25 lbs. Self-cleaning Valley.
CM-126	 EXTENDED EAVE DRIP EDGE		Length: 12' Gauge: .019" Per Carton: 25 pieces 300 lineal ft. Gross Wt.: 36 lbs.
C-250	 FLASHING COIL	C-250 24" X 50"	Width: 24" Per Carton: 1 roll C-250-50 lineal feet C-252-100 lineal feet
C-252		C-252 24" X 100"	Matching Collstock for Special Flashings.
CM-150		CM-150 18" X 50'	Width: 18" Per Carton: 1 roll 50 lineal feet Matching Collstock for Special Flashings.
CM-104	 J CHANNEL	Length 12' Per Ctn: 25 Pcs 300 Lineal Feet Siding/Mansard Trim-Out	

Standard Colors

Buckskin, Caramel, Deep Charcoal, Forest Green, Mustang Brown, Shake Gray,
Terra Red, Regal White

Premium Colors (note: premium colors are non-returnable)

Aged Bronze, Copper Patina, Weathered Wood.



CLASSIC
METAL ROOFING SYSTEMS

8510 Industry Park Dr.

Piqua, Ohio 45356

Tel. 937-773-9840

Toll-Free: 1-800-543-8938

Sales Office Fax: 937-778-5116

www.classicroof.com

info@classicroof.com