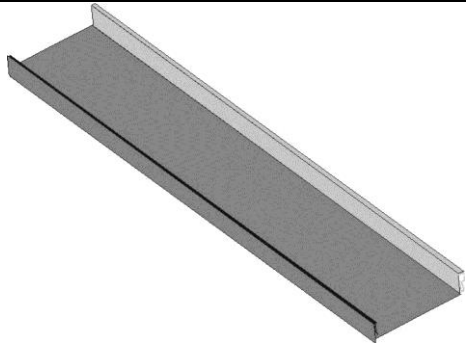
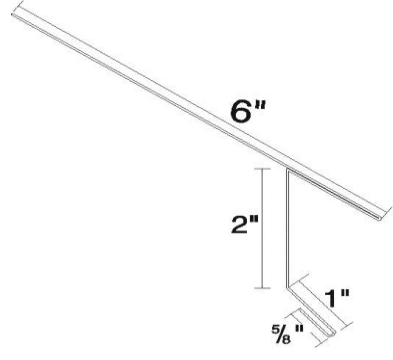
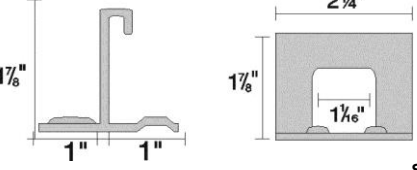
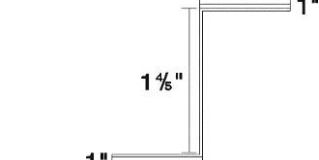
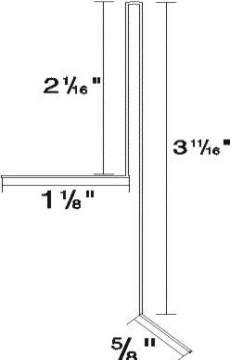
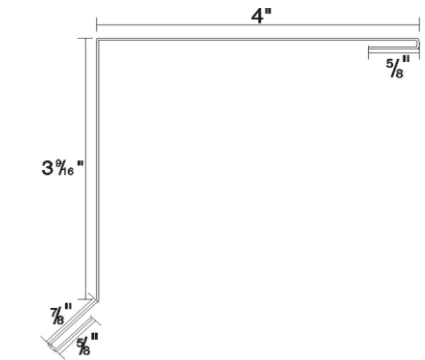
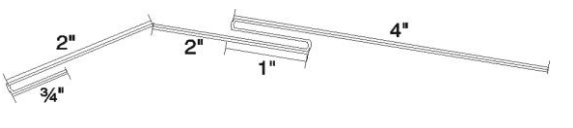
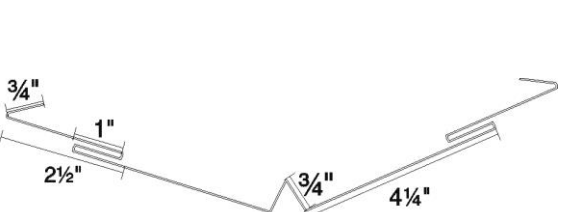
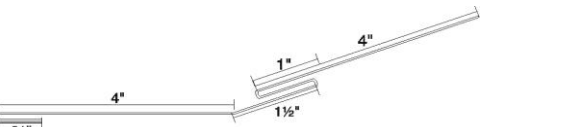
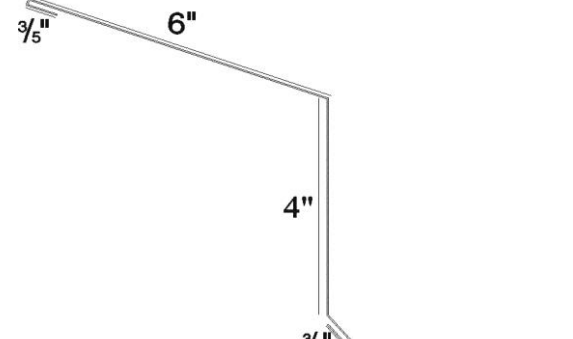
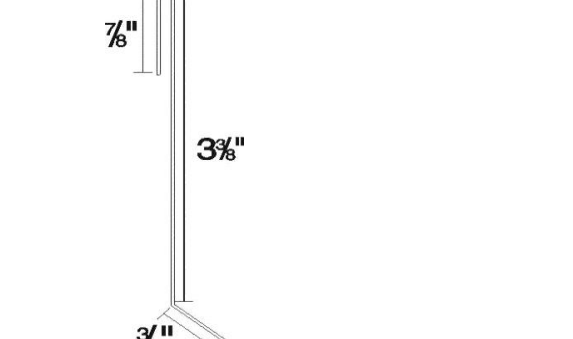
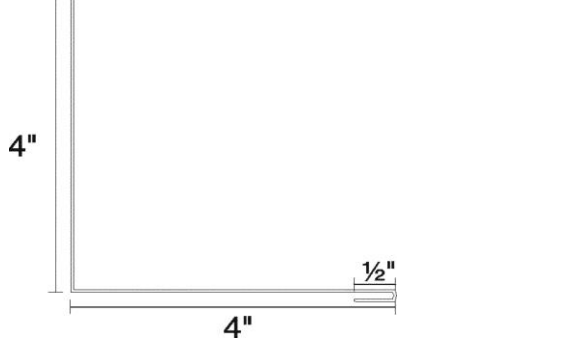


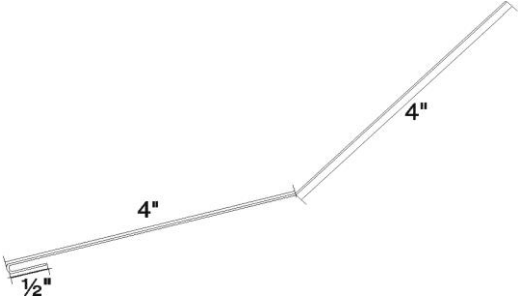
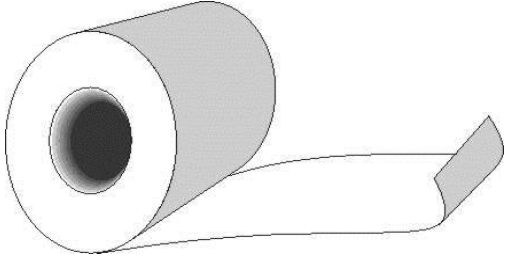
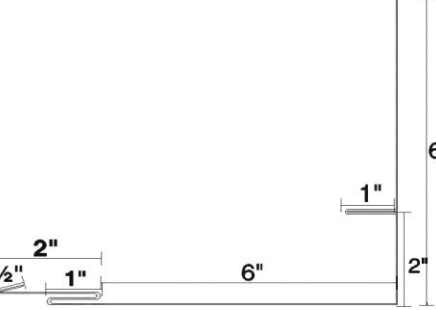
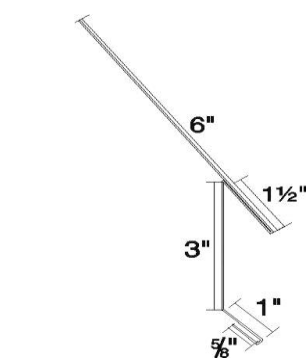
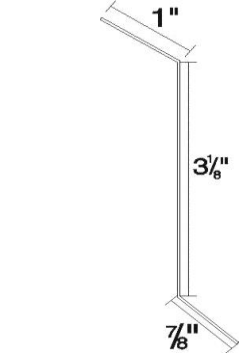
CLICKLOCK PREMIUM STANDING SEAM

PART NO.	PRODUCT	SPECIFICATIONS & PACKAGING
L-901	 <p style="text-align: center;">CLICKLOCK STANDING SEAM PANEL</p>	<p>.032" Aluminum</p> <p>Sold only in custom lengths. Specify panel lengths, adding 6" to panel length for trimming. Do not lap panels.</p>
L-902	 <p style="text-align: center;">RESIDENTIAL STARTER</p>	<p>5 per carton</p> <p>Length: 10'</p> <p>Use Commercial Starter (L-965) and Commercial Starter Cleat (L-966) if Standing Seam Panels exceed 16'.</p> <p>In order to correctly make this part, we must know the EXACT pitch of the roof it is being ordered for. Please provide this information at time of order.</p>
L-909	 <p style="text-align: center;">STAINLESS STEEL CLIP</p>	<p>Requires two fasteners per clip. One clip per 12" on 901.</p>
L-916	 <p style="text-align: center;">"Z" CLOSURE CLEAT</p>	<p>25 per carton</p> <p>Length: 10'</p> <p>For use with gables, hips, ridges, wall intersections and pitch changes.</p>
L-920	 <p style="text-align: center;">GABLE CLEAT</p>	<p>10 per carton</p> <p>Length: 10'</p> <p>Use with Gable Edge Trim (L-921).</p> <p>Use with "Z" Closure Cleat (L-916).</p>
L-921	 <p style="text-align: center;">GABLE EDGE TRIM</p>	<p>10 per carton</p> <p>Length: 10'</p> <p>Use with Gable Cleat (L-920).</p> <p>Use with "Z" Closure Cleat (L-916).</p>

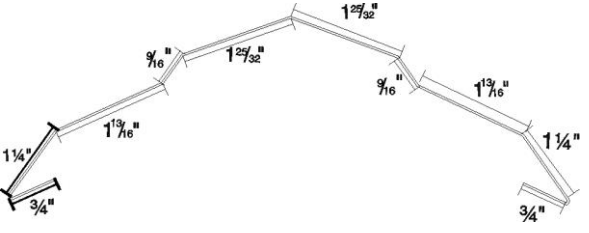

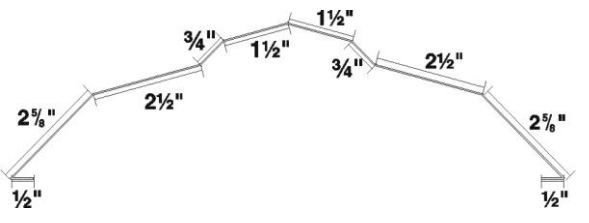
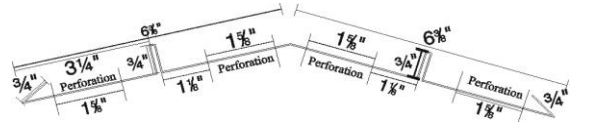
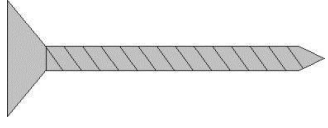
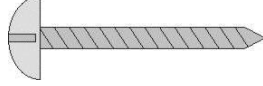
CLICKLOCK PREMIUM STANDING SEAM

PART NO.	PRODUCT	SPECIFICATIONS & PACKAGING
L-940	 <p style="text-align: center;">HIGH TO LOW PITCH TRANSITION</p>	<p>10 per carton Length: 10'</p> <p>Use with "Z" Closure Cleat (L-916). In order to correctly make this part, we must know the EXACT pitch of the roof it is being ordered for. Please provide this information at time of order.</p>
L-941	 <p style="text-align: center;">VALLEY</p>	<p>5 per carton Length: 10'</p> <p>In order to correctly make this part, we must know the EXACT pitch of the roof it is being ordered for. Please provide this information at time of order.</p>
L-942	 <p style="text-align: center;">LOW TO HIGH PITCH TRANSITION</p>	<p>5 per carton Length: 10'</p> <p>Use with "Z" Closure Cleat (L-916). In order to correctly make this part, we must know the EXACT pitch of the roof it is being ordered for. Please provide this information at time of order.</p>
L-943	 <p style="text-align: center;">SHED RIDGE CAP</p>	<p>5 per carton Length: 10'</p> <p>Use with Shed Ridge Cleat (L-944). Use with "Z" Closure Cleat (L-916).</p> <p>In order to correctly make this part, we must know the EXACT pitch of the roof it is being ordered for. Please provide this information at time of order.</p>
L-944	 <p style="text-align: center;">SHED RIDGE CLEAT</p>	<p>10 per carton Length: 10'</p> <p>Use with Shed Ridge Cap (L-943).</p>
L-947	 <p style="text-align: center;">SIDE WALL FLASHING</p>	<p>5 per carton Length: 10'</p> <p>Use with "Z" Closure Cleat (L-916).</p>

CLICKLOCK PREMIUM STANDING SEAM

PART NO.	PRODUCT	SPECIFICATIONS & PACKAGING
L-948	 <p style="text-align: right;">TOPWALL FLASHING</p>	<p>5 per carton Length: 10'</p> <p>Use with "Z" Closure Cleat (L-916).</p> <p>In order to correctly make this part, we must know the EXACT pitch of the roof it is being ordered for. Please provide this information at time of order.</p>
L-950	 <p style="text-align: right;">TRIM COIL</p>	<p>18.062" x 50'</p>
L-964	 <p style="text-align: right;">1/2 VALLEY TO SIDEWALL</p>	<p>5 per carton Length: 10'</p>
L-965	 <p style="text-align: right;">COMMERCIAL STARTER</p>	<p>5 per carton Length: 10'</p> <p>In order to correctly make this part, we must know the EXACT pitch of the roof it is being ordered for. Please provide this information at time of order.</p> <p>Use with Starter Cleat (L-966).</p>
L-966	 <p style="text-align: right;">COMMERCIAL STARTER CLEAT</p>	<p>25 per carton Length: 10'</p> <p>In order to correctly make this part, we must know the EXACT pitch of the roof it is being ordered for. Please provide this information at time of order.</p> <p>Use with Commercial Starter (L-965).</p>

CLICKLOCK PREMIUM STANDING SEAM

PART NO.	PRODUCT	SPECIFICATIONS & PACKAGING
L-967	 <p style="text-align: center;">NON-VENTED RIDGE/HIP COVER</p>	<p>5 per carton</p> <p>Length: 10'</p> <p>In order to correctly make this part, we must know the EXACT pitch of the roof it is being ordered for. Please provide this information at time of order.</p>
L-968	 <p style="text-align: center;">RIDGE/HIP DOUBLE CLEAT</p>	<p>5 per carton/10' Long</p> <p>Use with Non-Vented Ridge/Hip Cover (L-967) and "Z" Closure Cleat (L-916).</p> <p>In order to correctly make this part, we must know the EXACT pitch of the roof it is being ordered for. Please provide this information at time of order.</p>
L-970	 <p style="text-align: center;">VENTED RIDGE COVER</p>	<p>5 per carton</p> <p>Length: 10'</p> <p>Use with Perforated Ridge Cleat (L-971).</p> <p>In order to correctly make this part, we must know the EXACT pitch of the roof it is being ordered for. Please provide this information at time of order.</p>
L-971	 <p style="text-align: center;">PERFORATED RIDGE CLEAT</p>	<p>5 per carton/10' Long</p> <p>Use with Vented Ridge Cover (L-970) and "Z" Closure Cleat (L-916).</p> <p>In order to correctly make this part, we must know the EXACT pitch of the roof it is being ordered for. Please provide this information at time of order.</p>
L-953	 <p style="text-align: center;">1" X #10 PANCAKE HEAD PHILLIPS STAINLESS STEEL SCREW</p>	<p>Use for flashings and two per clip for panel installation.</p> <p>100 screws per box.</p>
L-978 L-979 L-980	 <p>(L-978) 1/2" x #10 TRUSS HEAD PHILLIPS STAINLESS STEEL SCREW (L-979) 1" x #10 TRUSS HEAD PHILLIPS STAINLESS STEEL SCREW (L-980) 2" x #10 TRUSS HEAD PHILLIPS STAINLESS STEEL SCREW</p>	<p>For fastening pieces of metal to each other.</p> <p>100 screws per box.</p>

Inquire for custom color or metal availability.

COLOR AVAILABILITY:

Buckskin, Caramel, Deep Charcoal, Forest Green, Mustang Brown, White, Shake Gray, Terra Red and Vermont Slate

NOTE: Panels of custom length and pitch specific pieces are non-returnable.



CLASSIC
METAL ROOFING SYSTEMS

8510 Industry Park Dr.
Piqua, Ohio 45356
Tel. 937-773-9840
Toll-Free: 1-800-543-8938
Sales Office Fax: 937-778-5116
www.classicroof.com
info@classicroof.com