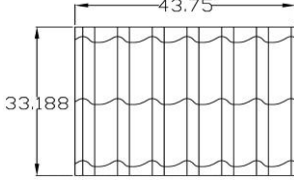
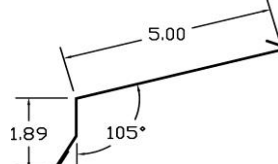

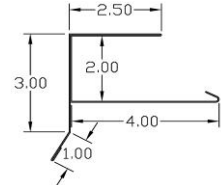
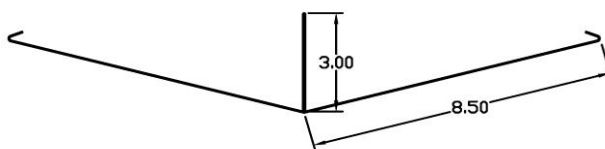
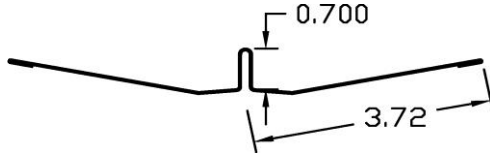
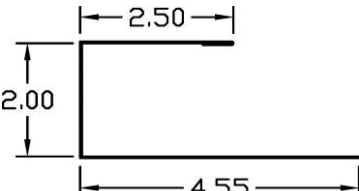
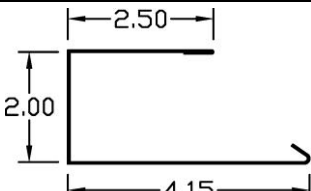
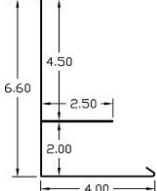
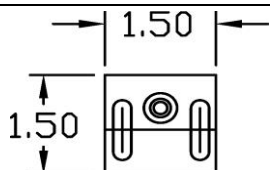
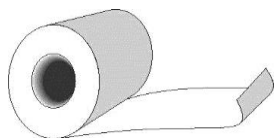
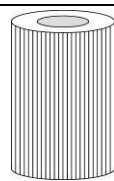
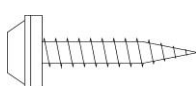

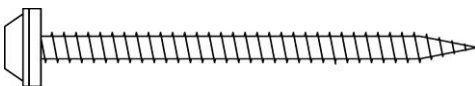
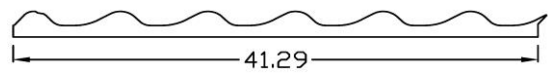
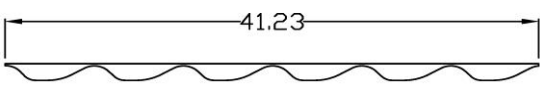


GRANDE TILE

.032" Aluminum, available in smooth and pebble embossed

PART NO.	PRODUCT and DIMENSIONS	SPECIFICATIONS & PACKAGING
601	 <p style="text-align: right;">GRANDE TILE</p>	<p>Two Course panel Exposure: 27.75" x 41.34" 12.5 panels per sq 62.75 lbs. per sq Also available in cut to length</p>
602		<p>Length: 12' Per carton: 10 pcs. 120 lineal ft 39.4 lbs. per ctn</p>
607	 <p style="text-align: right;">HIP and RIDGE CAP</p>	<p>Exposure: 43" Per Carton: 20 pcs 80 lineal feet 46.3 lbs. per ctn</p>
627	 <p style="text-align: right;">GABLE CHANNEL</p>	<p>Length: 12' Per carton: 10 pcs 120' feet per ctn 75.3 lbs. per ctn</p>
641	 <p style="text-align: right;">VALLEY</p>	<p>Length: 12' 5 pieces per ctn 60' per ctn 60.9 lbs. per ctn</p>
644	 <p style="text-align: right;">VALLEY COVER</p>	<p>Length: 12' 5 pieces per ctn 60' per ctn 25 lbs. per ctn 1 644 required for each 641</p>
645	 <p style="text-align: right;">C CLOSURE</p>	<p>Length: 12' 10 pieces per ctn 120' per ctn 46.6 lbs. per ctn</p>
646	 <p style="text-align: right;">C CLOSURE with RETURN</p>	<p>Length: 12' 10 pieces per ctn 120' per ctn 46.6 lbs. per ctn</p>
647	 <p style="text-align: right;">SIDEWALL</p>	<p>Length: 12' Per carton: 10 pcs 120' feet per ctn 75.3 lbs. per ctn</p>

GRANDE TILE

PART NO.	PRODUCT and DIMENSIONS	SPECIFICATIONS & PACKAGING
209		100 clips per bag
650	 <p style="text-align: right;">FLASHING COIL</p>	23.875" x 50' 44.9 lbs. per coil
651	 <p style="text-align: right;">FLEXIBLE FLASHING COIL</p>	9.5" x 15' 6 lbs. per coil
676	 <p style="text-align: right;">1" STAINLESS STEEL SCREW</p>	250 screws per bag
677	 <p style="text-align: right;">1 1/2" STAINLESS STEEL SCREW</p>	250 screws per bag
679	 <p style="text-align: right;">2 1/2" STAINLESS STEEL SCREW</p>	250 screws per bag
680	 <p style="text-align: right;">EAVE FOAM CLOSURE</p>	Each .07 lbs. per piece
681	 <p style="text-align: right;">RIDGE FOAM CLOSURE</p>	Each .09 lbs. per piece

COLORS AVAILABLE:

Coral Blue, Forest Green, Gallery Blue, Mission Clay, Mustang Brown, Regal White, Slate Gray, Terra Red



8510 Industry Park Dr.
P O Box 701
Piqua, Ohio 45356
Tel. 937-773-9840
Toll-Free: 1-800-543-8938
Sales Office fax: 937-778-5116
www.classicroof.com
info@classicroof.com