

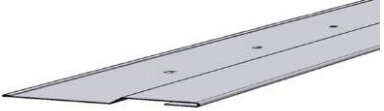
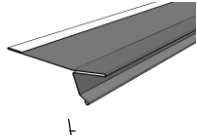
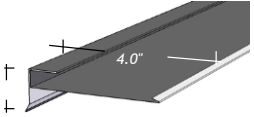
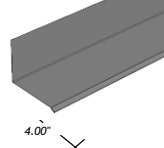
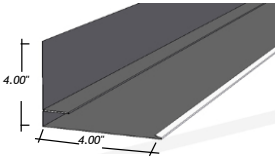
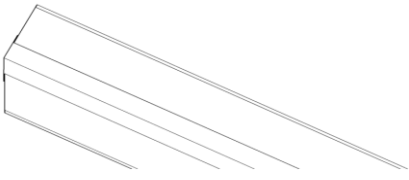
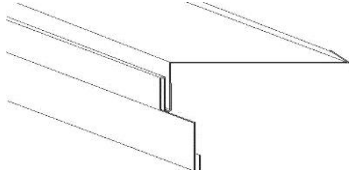


# KasselWood

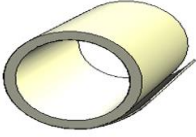
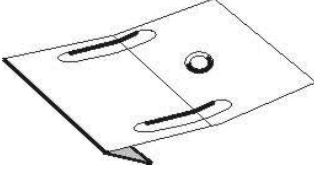
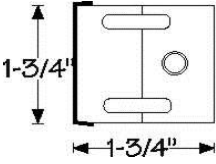
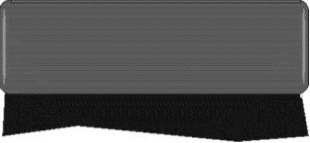

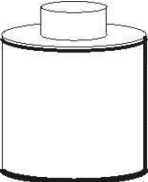
| Product  | SPECIFICATIONS & PACKAGING   |
|--|--|
|  <p>Exposure: 8 5/8" x 40 5/8" 5101</p> | <p><b>KasselWood™ - Panels</b></p> <p><i>Packaging: 20 pcs. per box = 48.7 SF<br/>KasselWood shingles interlock on all four sides and include an integrated nail tab and print accents</i></p> |
|  <p>5107</p>                            | <p><b>KasselWood™ - Hip &amp; Ridge</b></p> <p><i>Individual Piece<br/>Packaging: 15 pcs. per box = 10 LF</i></p>  |

Stock Colors: New Cedar, Weathered Wood, Aged Cedar Black Onyx, Charcoal, Copper Penny, Evergreen, Gunmetal, Mission Red and Stone.

Flashing (29 Gauge) Flashing items available in Timber, Charcoal, Evergreen, Copper Penny, Gunmetal, Mission Red, Black Onyx and Stone finish.

| Product  | SPECIFICATIONS & PACKAGING   |
|--|--|
|  <p>5122GALVA</p> | <p><b>Anchor Strip - Bare Galvanized</b></p> <p><i>Individual Piece Length: 10 ft.<br/>Packaging: 10 pcs. per box = 100 LF</i></p>   |
|  <p>5102</p>     | <p><b>One Piece - Eave Drip Edge</b></p> <p><i>Individual Piece Length: 10 ft.<br/>Packaging: 10 pcs. per box = 100 LF<br/>Used as a starter at the eave to connect and secure the field panels to the roof system.</i></p>  |
|  <p>5117</p>    | <p><b>Rake/Gable (single piece system)</b></p> <p><i>Individual Piece Length: 10 ft.<br/>Packaging: 10 pcs. per box = 100 LF<br/>Used as a single piece rake edge/gable edge trim</i></p>  |
|  <p>5148</p>    | <p><b>End Wall/Head Wall</b></p> <p><i>Individual Piece Length: 10 ft.<br/>Packaging: 5 pcs. per box = 50 LF<br/>Used where a change in roof slope occurs or where the roof terminates at a vertical wall.</i></p>   |
|  <p>5121</p>    | <p><b>Side Wall (one piece)</b></p> <p><i>Individual Piece Length: 10 ft.<br/>Packaging: 5 pcs. per box = 50 LF<br/>Used to divert water down the roof slope where the field panels and a wall connect.</i></p>  |
|  <p>5125</p>    | <p><b>Z Valley</b></p> <p><i>Individual Piece Length: 10 ft.<br/>Packaging: 5 pcs. per box = 50 LF<br/>Used to divert water down the roof slope where the field panels connect into a valley. Shingles anchor securely into lock formed on each side of center</i></p> |
|  <p>5127</p>    | <p><b>Gable Channel</b></p> <p><i>Individual Piece Length: 10 ft.<br/>Packaging: 5 pcs. per box = 50 LF</i></p>  |

# KasselWood

| Product   | SPECIFICATIONS & PACKAGING  |  |
|---|---|--|
| Flashing (29 Gauge) Flashing items available in Timber, Charcoal, Evergreen, Copper Penny, Gunmetal, Mission Red, Black and Stone finish. |   |  |
| <br>5150   | 23 3/4" Trim Coil   | Individual Piece Length: 50 ft.<br>Packaging: 1 pc. per box = 50 ft x 23 3/4"<br>Metal available for special metal bends and cuts not covered by our manufactured metal pieces.  |
| <br>Nailing Clips 5009                                    |  | 100 clips per bag. 25 bags per carton  |
| <br>Roof Aqua Guard MT C-554                              | Self Adhering<br>40" x 60'  | 1 roll per carton. Coverage approx 2 squares, Gross Weight: 42 pounds  |
| <br>Roof Aqua Guard UDLX C-551                           | 60" X 200'  | 1 roll per carton. Coverage approx 9 squares, Gross Weight: 40 pounds<br>Durable moisture and vapor barrier for use on properly ventilated structures. Can replace 30-pound felt |
| <br>Touch Up Paint C282                                | 2 oz Bottle   | 1 each or 12 per box   |
| Tapered Hem Hand Tool   |   | 1 each   |
| Steel Ringshank Nails C519GS005   | 1 1/4" Nails  | 1010 Nails. 5# box   |
| Steel Ringshank Nails C520GS005   | 1 3/4" Nails  | 780 Nails. 5# box  |



PREMIER STEEL ROOFING SYSTEMS™

8510 Industry Park Drive  
 Piqua, Ohio 45356  
 Toll-Free: 866-544-4766  
 Fax: 937-778-5116  
 www.kasselandirons.com  
 info@kasselandirons.com