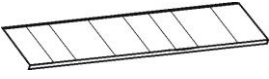
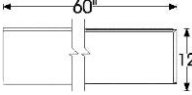

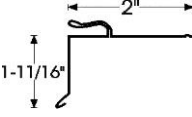
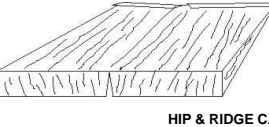
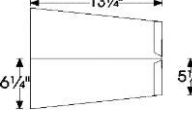
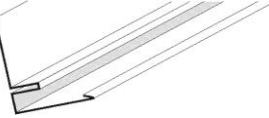
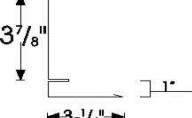
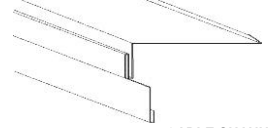
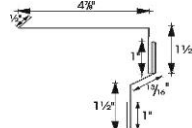

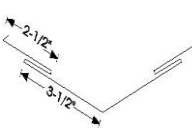
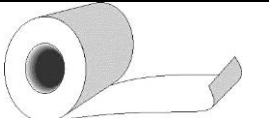
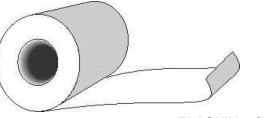
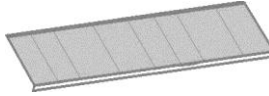
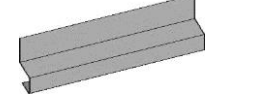
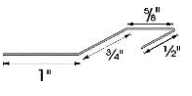


OXFORD SHINGLE

PART NO.	PRODUCT	DIMENSIONS	SPECIFICATIONS & PACKAGING
2001	 OXFORD SHINGLE		Exposure: 60"x12" Butt: $\frac{5}{8}$ " Per Carton: 20 panels Coverage: 1 square Gross Weight: 42 lbs. Residential use.
SH-402	 EAVE STARTER STRIP		Length: 12' Per Carton: 25 pieces 300 lineal feet Package Dimensions: 147"x7"x4" Gross Weight: 42.8 lbs. One-piece starter/drip combination.
2007	 HIP & RIDGE CAP		Length: 13 1/4" Butt: 3/4" Per Carton: 40 pieces Gross Weight: 20 lbs. For ridges & hips. Ridges and hips must be watertight before 2007 installation.
2021	 SIDEWALL FLASHING		Length: 12' Per Carton: 10 pieces 120 lineal feet Package Dimensions: 22"x16"x14" Gross Weight: 37 lbs. Roof into sidewall trim.
2027	 GABLE CHANNEL		Length: 12' Per Carton: 10 pieces 120 lineal feet Gross Weight: 40 lbs. Bend-over Gable.
2025	 VALLEY		Length: 10' - Per Carton: 5 Pieces - 50 Lineal Feet - Gross Weight: 35 lbs.
C-250	 FLASHING COIL	WEIGHT C-250 = 28#	Width: 24" Per Carton: 1 roll C-250-50 lineal feet C-252-100 lineal feet
C-252		C-252 = 56#	Matching Collstock for Special Flashings.
CM-150	 FLASHING COIL		Width: 18" Per Carton: 1 roll 50 lineal feet Matching Collstock for Special Flashings.
2124	 POLYSTYRENE INSERT	12" x 60"	20 Pieces/Square 2 Squares/Carton Use one per panel in areas requiring extra rigidity.
2028	 NAILING CLIPS		200 Per Carton Used in high wind areas

Standard Colors

Black, Buckskin, Caramel, Deep Charcoal, Forest Green, Mustang Brown, Shake Gray, Terra Red, Vermont Slate and White.

Premium Colors (note: Premium Colors are non-returnable)

Aged Bronze, Copper Patina, Weathered Wood

* See separate price sheet for Oxford Exotic Colors.

* Inquire about the availability of Solid Copper.

*ThermoBond textured coating may be applied to Oxford Shingle and accessories for an upcharge of \$150/sq.



CLASSIC
METAL ROOFING SYSTEMS

A Division of Isaiah Industries